



Multi-stage centrifugal pumps, horizontal and self-priming, particularly suitable for constructing small and medium sized pressurisation systems; able to suck liquids mixed with air.

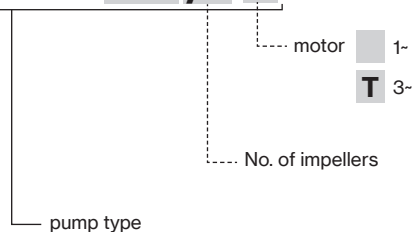
### Construction features

<b>Pump body</b>	stainless steel AISI 304
<b>Motor bracket</b>	aluminum
<b>Impeller</b>	Noryl®
<b>Mechanical seal</b>	ceramic-graphite-NBR
<b>Pump shaft</b>	stainless steel AISI 416
<b>Liquid temperature</b>	0 - 50 °C
<b>Operating pressure</b>	max 8 bar

### Motor

	3~ 230/400V - 50Hz
<b>2 poles induction motor</b>	1~ 230V - 50Hz (with thermal protection)
<b>Insulation class</b>	F
<b>Protection degree</b>	IPX4

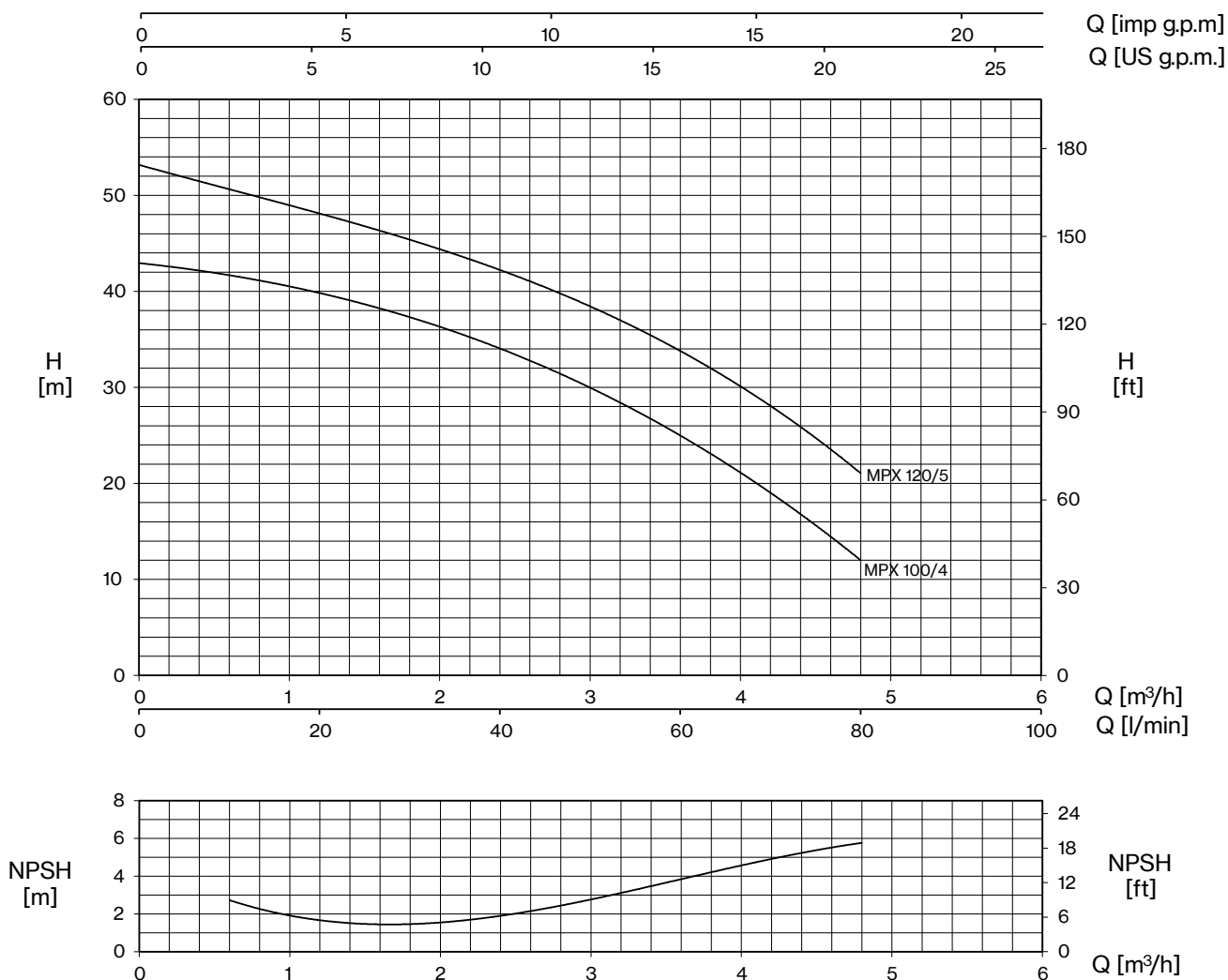
### MPX 100 / 4 T



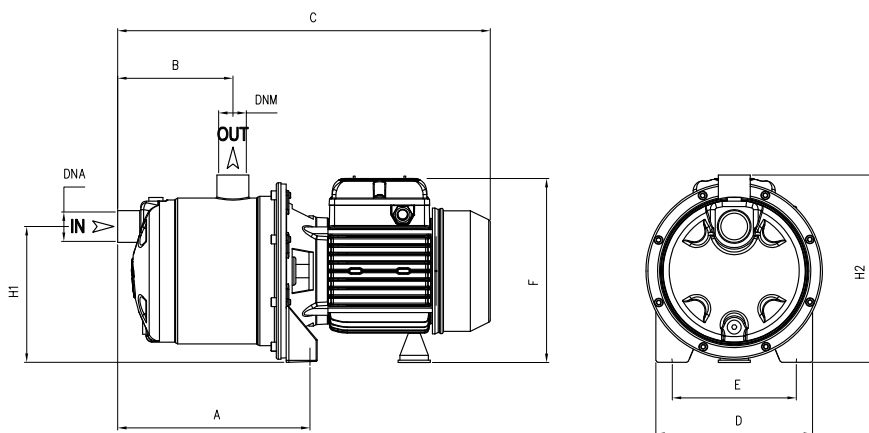
TYPE	LOTS			
	TRUCK		CONTAINER	
	PALLET (cm)	N° pumps	PALLET (cm)	N° pumps
<b>MPX</b>	85×110×170	60	85×110×190	80



# MPX



TYPE - 50 Hz		P2		P1		CURRENT		Q (m³/h - l/min)					
1~	3~	HP	kW	1~	3~	1~ 230V	3~ 400V	0	0,6	1,2	2,4	3,6	4,8
								0	10	20	40	60	80
				kW		A		H (m)					
MPX 100/4	MPXT 100/4	1	0,74	1,07	1,1	5,0	1,9	43,0	41,5	40,0	34,0	25,0	12,0
MPX 120/5	MPXT 120/5	1,2	0,88	1,27	1,33	6,1	2,3	53,0	51,0	48,0	42,0	34,0	21,0



TYPE		DIMENSIONS (mm)													
-1	-3	A	B	C	D	E	F	H1	H2	DNA	DNM	I	L	M	Kg
MPX 100/4	MPXT 100/4	208	128	410	175	140	215	153	210	1" G	1" G	430	210	235	
MPX 120/5	MPXT 120/5	208	128	410	175	140	215	153	210	1" G	1" G	430	210	235	11,5

